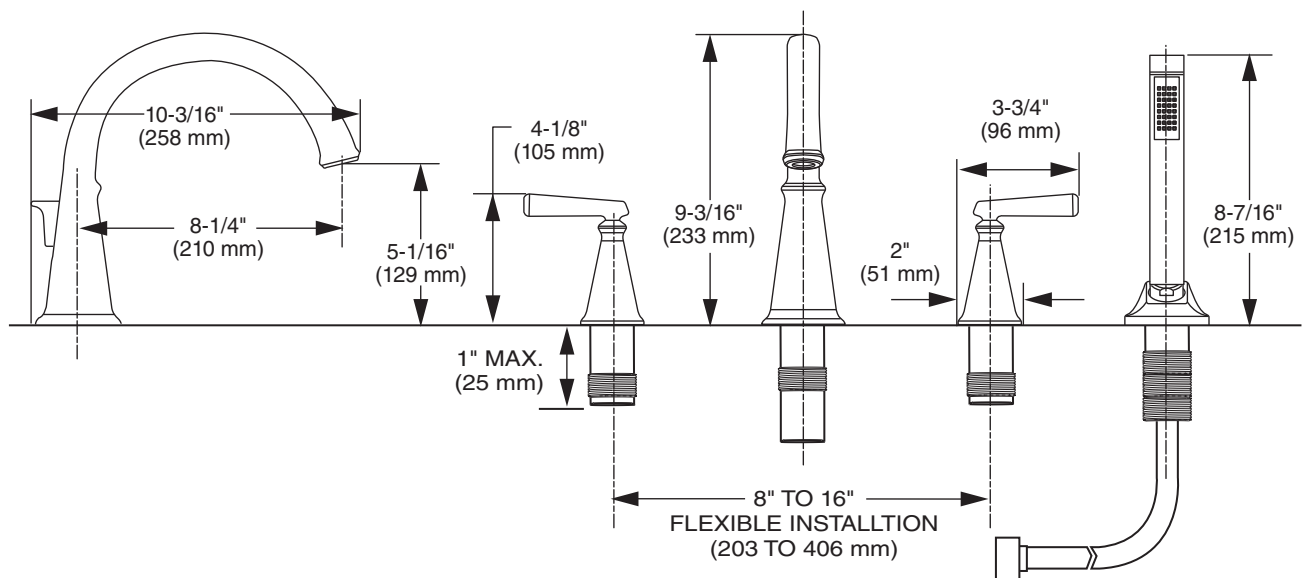


MODEL NUMBER:

- T018900 Roman Tub Filler Trim
LESS Personal Shower
- T018901 Roman Tub Filler Trim
WITH Personal Shower

For use with Flash™ rough valves



GENERAL DESCRIPTION:

Installs with Flash rough valve platform. Washerless 1/4 turn ceramic disc valve cartridges. Durable brass spout. Metal lever handles. Trim kit provides an additional 1" installation adjustability for finished deck.

PRODUCT FEATURES:

Brass Construction: Durable. Ideal for prolonged contact with water.

Ceramic Disc Valve Cartridge: Assures a lifetime of drip-free performance.

SUGGESTED SPECIFICATION

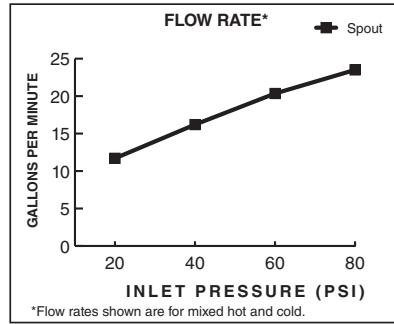
Two handle deck-mount tub filler shall feature cast brass construction. Shall also feature 1/4 turn washerless ceramic disc valve cartridges. Fitting shall be American Standard Model # T01890_.....

CODES AND STANDARDS

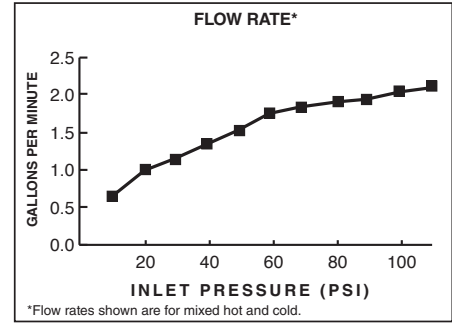
These products meet or exceed the following codes and standards:

ASME A112.18.1
CSA B125.1




Check local plumbing codes.
Some installations may require a vacuum breaker.



TUB SPOUT FLOW



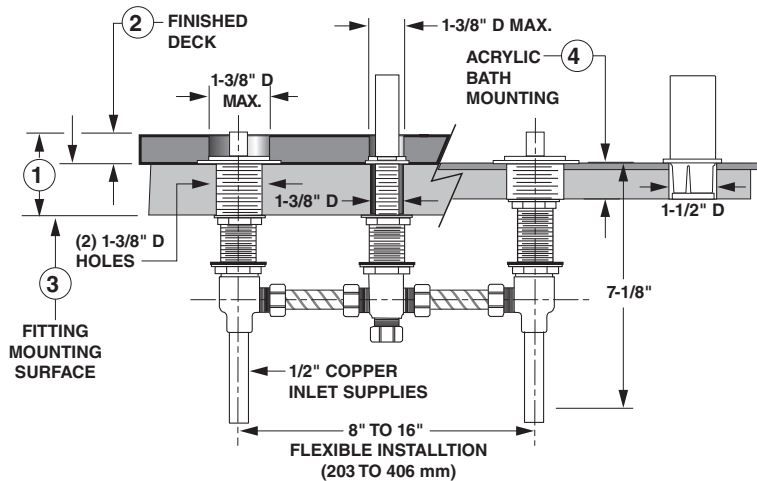
HAND SHOWER FLOW

Product Number	Description	Finish Options		
		Polished Chrome	Brushed Nickel	Legacy Bronze
T018900	Roman Tub Filler Trim LESS Personal Shower. 	002	295	278
T018901	Roman Tub Filler Trim WITH Personal Shower.  			

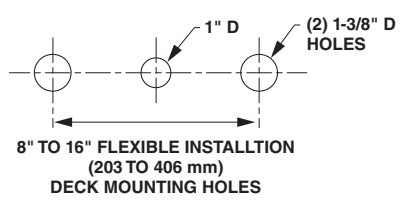
 Meets the American Disabilities Act Guidelines and ANSI A117.1 Requirements for the physically challenged.

R900 Flash™ Roman Tub Filler
Rough Body – Less Personal Shower

R910 Flash Roman Tub Filler
Rough Body – WITH Personal Shower



- 1. DECK THICKNESS**
TOTAL DECK THICKNESS UP TO 2-1/2"
- 2. FINISHED DECK**
FINISHED DECK VARIABILITY ACCOMMODATES DECKING MATERIAL (TILE, MARBLE, CORIAN®...) TO 1" THICK
- 3. FITTING MOUNTING SURFACE**
ADJUSTABILITY, TO 1-1/2" THICK
- 4. ACRYLIC BATHS**
ADJUSTABILITY, TO 1-1/2" THICK



8" TO 16" FLEXIBLE INSTALLTION
(203 TO 406 mm)
DECK MOUNTING HOLES